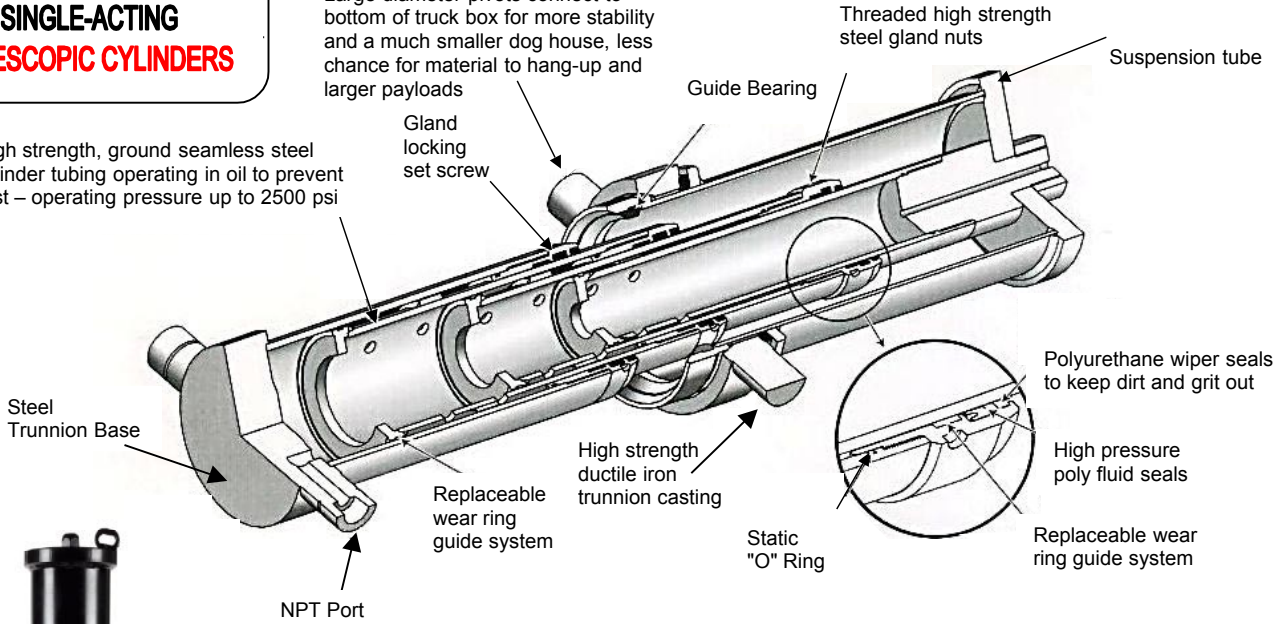




**Trunion Style Mount**

Large diameter pivots connect to bottom of truck box for more stability and a much smaller dog house, less chance for material to hang-up and larger payloads

High strength, ground seamless steel cylinder tubing operating in oil to prevent rust – operating pressure up to 2500 psi

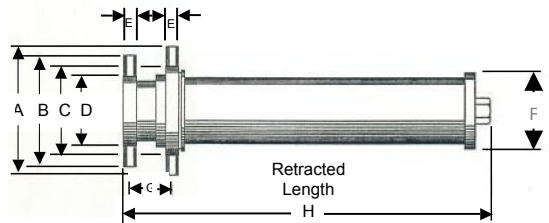


**STANDARD NORDIC TELESCOPIC CYLINDERS**

Model	H	Model	H	Model	H
NTC 80-4-2	55"	NTGC 140-5.5-3	60 5/8"	NTGC 180-6.5-4	62 5/8"
NTC 100-4-3	55"	NTGC 150-5.5-4	60 1/2"	NTGC 182-7.5-4	65"
NTC 120-4-3	55"	NTGC 156-6.5-4	62 5/8"	NTGC 195-7.5-4	65"
NTGC 128-5.5-3	60 5/8"	NTC 168-5-4	58"	NTC 216-6-5	64"

**MODEL CODE**  
**NTGC-180-6.5-4**

No. of Stages  
 Base Piston Diameter  
 Stroke (INS)  
 Nordic Trunion Ground Cylinder



**TECHNICAL INFORMATON (STANDARD DIMENSIONS)**

Base Section (ID)	A	B	C	D	E	F	G	Port Size
4"	10 1/2"	9 3/4"	8 1/4"	5 3/4"	1 7/8"	6"	6 5/8"	3/4" NPT
5"	13"	11 1/4"	9"	7"	1 7/8"	7 5/8"	6 5/8"	3/4" NPT
5 1/2"	13"	11 1/4"	9"	7"	1 7/8"	8"	6 7/16"	3/4" NPT
6"	13"	12"	10"	7 3/4"	2 1/4"	8"	6 5/8"	1" NPT
6 1/2"	13 3/16"	12"	10 3/16"	7 3/4"	2 1/4"	8 3/4"	7 1/2"	1" NPT
7 1/2"	14 3/16"	13"	11 3/16"	9"	2 1/4"	9 3/4"	9 5/8"	1" NPT



NTC 168-5-4 telescopic cylinder with optional saddle and box mounting pivot blocks